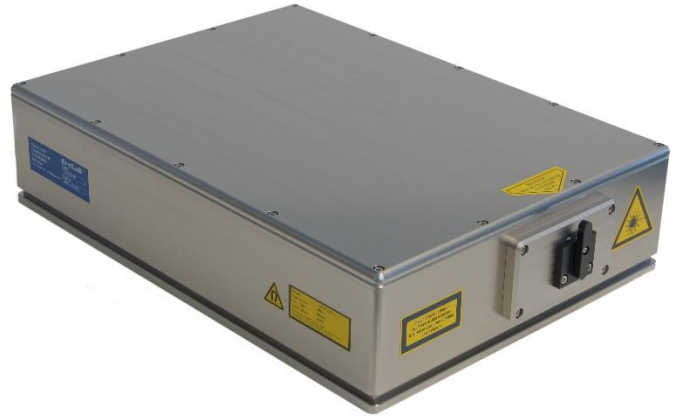


FQCW 266-100

Diode Pumped Continuous Wave Solid State Laser

- 266 nm
- Continuous Wave
- Single Frequency
- Low Intensity Noise
- $M^2 < 1.3$, TEM₀₀
- Up to 100 mW
- Conduction Cooled
- Patented Design (*)



lithography · inspection · spectroscopy · analytics

| | | |
|------------------------|-------------------------------------------|--------------------------------------------|
| Optical Data | Wavelength | 266 ± 1 nm |
| | Nominal Output Power | 100 ± 3 mW |
| | Output Power Adjustability | 10 – 110 mW |
| | Linewidth | < 300 kHz |
| | Coherence Length | > 1000 m |
| | Beam Propagation Factor M ² | < 1.3, TEM ₀₀ |
| | Polarisation orientation and purity | vertical, > 100:1 |
| | Beam Diameter | 0.6 ± 0.1 mm |
| | Beam Divergence | < 0.8 mrad |
| | Beam Pointing Stability ⁽²⁾ | < 3 µrad/K, < 3 µrad/h |
| | Static Alignment Tolerance ⁽²⁾ | lateral ± 0.25 mm, angular ± 2.5 mrad |
| | Power Stability ⁽¹⁾ | < 1 %rms |
| | Noise (100 kHz – 10 MHz) | < 1 %rms |
| Electrical Data | Power Consumption Mean (Max) | < 100 W (160 W) |
| | Line Voltage for external power supply | 85 - 264 V AC (47-63 Hz) |
| | Communication Interfaces | USB / RS232 |
| | Safety Features | key switch, interlock |
| Miscellaneous | Warm-up Time (cold starting) | < 15 min |
| | Operating Temperature (laser head) | 20 - 35 °C non-condensing |
| | Laser Head Dimensions | 91 x 270 x 379 mm ³ (H x W x L) |
| | Control Unit Dimensions (w/o connectors) | 42 x 165 x 164 mm ³ (H x W x L) |
| | Laser Head Weight | 14.7 kg |
| | Control Unit Weight | 1.0 kg |

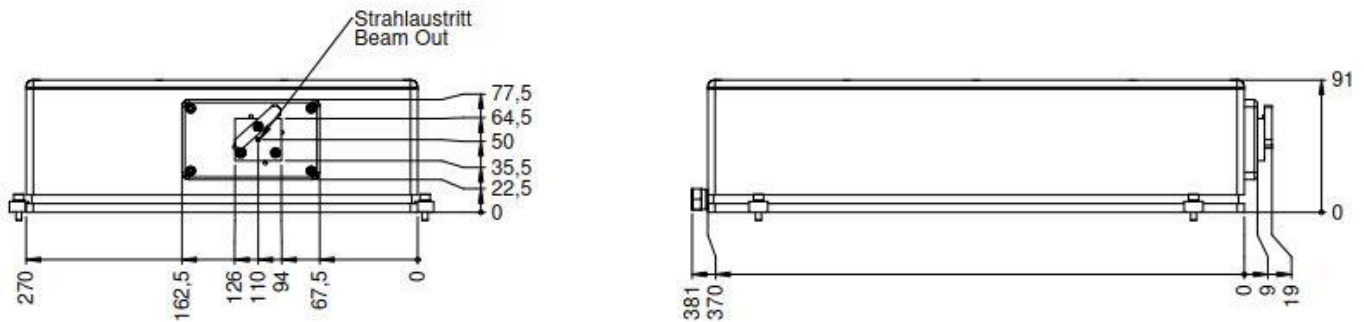
Notes

1. After 30 minutes warm-up in the temperature range 20 - 35 °C, temperature change < 1 K/h.
2. Position and angle of static alignment tolerances are specified with regard to laser beam exit.
3. The exit window is equipped with the Manual Window Shifter (MWS) in case of external photo contamination. This laser system is equipped with the Automatic Crystal Shifter (ACS).

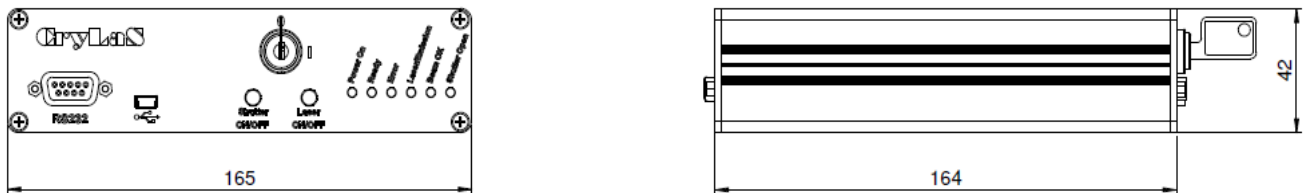
(*) Protected by patents: DE102022104383B3, DE102010064382B4, US9429814B2

Dimensions

Laser Head:



Control Unit:



All dimensions in mm

Laser Safety Labels

FQCW266 laser sources are class 4 / IV lasers according to IEC 60825-1

