

eMOPA 266-40

Diode pumped passively Q-switched solid state laser

- 266 nm
- Single Pulse
- < 1.0 ns
- single shot (pulse on demand) – 1 kHz
- > 40 μ J
- External / Internal Trigger



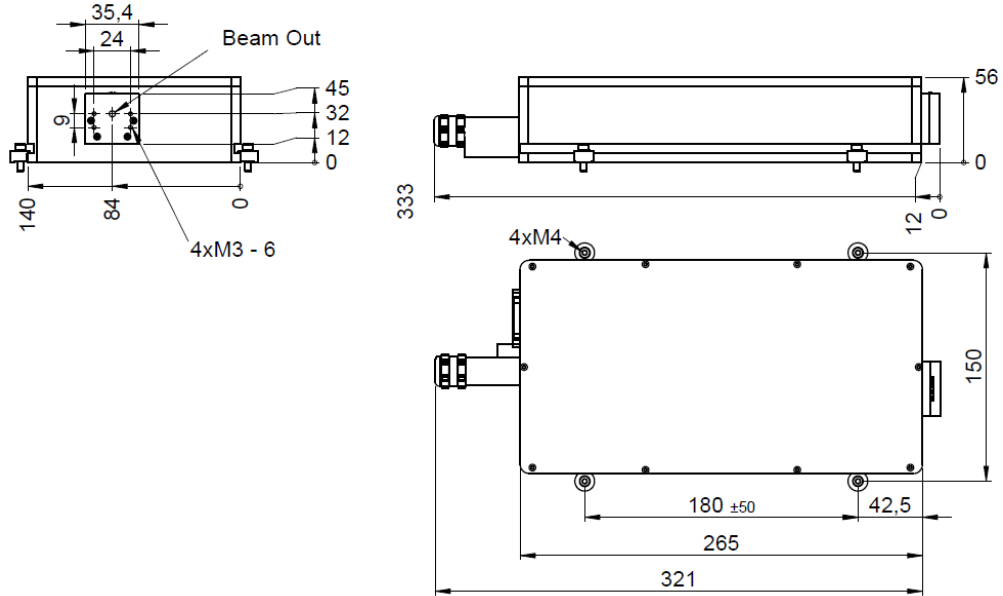
biology · biomedicine · chemistry · analytics

| | | |
|---|---|---------------------------------------|
| Optical Data | Wavelength | 266 nm |
| | Peak Power | > 40 kW @ 1000 Hz |
| | Pulse Energy | > 40 μ J @ 1000 Hz |
| | Beam Divergence (full angle) | < 1.5 mrad |
| | Beam Ellipticity | < 1.5:1 |
| | Beam Diameter | 0.8 \pm 0.3 mm (at laser exit) |
| | Spatial Mode | TEM ₀₀ |
| | Pulse Repetition Rate (with external trigger) | single shot (pulse on demand) – 1 kHz |
| | Pulse Width (FWHM) | < 1.0 ns |
| | Polarization Ratio | > 100:1, vertical |
| | Pulse Energy Drift over 6h ¹⁾ | < \pm 3 % |
| | Pulse-to-Pulse Energy Stability ²⁾ | < 2% |
| Laser Classification | 4 / IV | |
| Optical Output | Free Beam | |
| Electrical Data | Electrical Power Consumption | < 100 W |
| | Line Voltage | 90 - 265 V AC (50-60 Hz) |
| Interface | USB / RS232 | |
| | BNC connector for external triggering (TTL) | |
| | SMB connector for 24 V DC output | |
| Miscellaneous | Warm-up Time | < 10 min |
| | Operating Temperature | 22 - 32 °C |
| | Laser Head Size | 56 x 140 x 265 mm (H x W x L) |
| | Stand-Alone Unit Size | 129.5 x 177 x 180 mm (H x W x L) |
| Options | Multimode fiber coupling | |
| | Synchronization signal output (rise time < 1.5 ns) | |
| | Electrical or manual wavelength switch (266nm – 532nm) or electrical beam blocker | |
| | External telescope (beam expander) | |
| ¹⁾ Averaged over 10s after 10min of continuous operation @ 1kHz activated closed loop control ²⁾ Over 1000 pulses @ 1kHz after 10min of continuous operation | | |

Dimensions

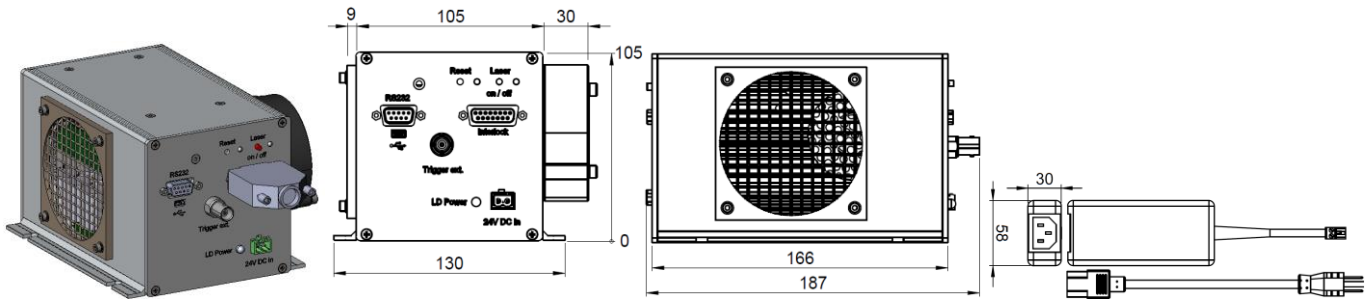
Laser Head:

265 x 140 x 56 mm



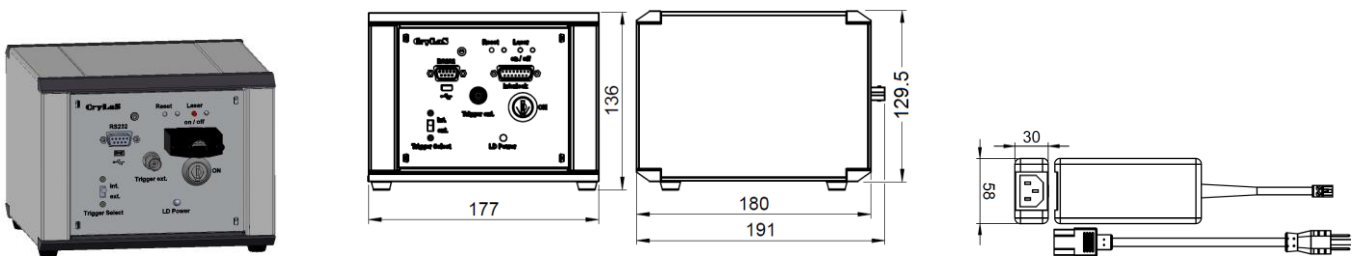
Controller OEM:

166 x 144 x 105 mm



Controller Stand-Alone:

180 x 177 x 129.5 mm



Laser Safety Labels

The eMOPA 266-40 lasers are class 4 according to IEC 60825-1

OEM Laser Device
 Caution! It is designed for use solely as a component and therefore does not comply with 21CFR 1040.10 and 1040.11
 Complies with IEC 60825-1:2014

wavelength: 266 nm
 max. Output: 150 µJ
 pulse duration: <1.0 ns
 max. repetition rate: 2000 Hz

DANGER - INVISIBLE LASER RADIATION
 AVOID EYE OR SKIN EXPOSURE TO DIRECT OR SCATTERED RADIATION

CLASS 4 LASER PRODUCT



© Jan. 2019, Rev 1.2, CryLaS GmbH. All rights reserved.
 Product specifications are subject to change without notice